

HEAT SHRINKABLE FIBER OPTIC SPLICE CLOSUR

AAA.006.001.001-OP Dome Type Heat Shrinkable Fiber Optic Splice Closure (FOSC) is heat shrinkable sealing and suitable for uncut cables. It is the environmentally sealed enclosure for the fiber management system that provides the functions of splice and passive component integration in the external network.



SPECIFICATION

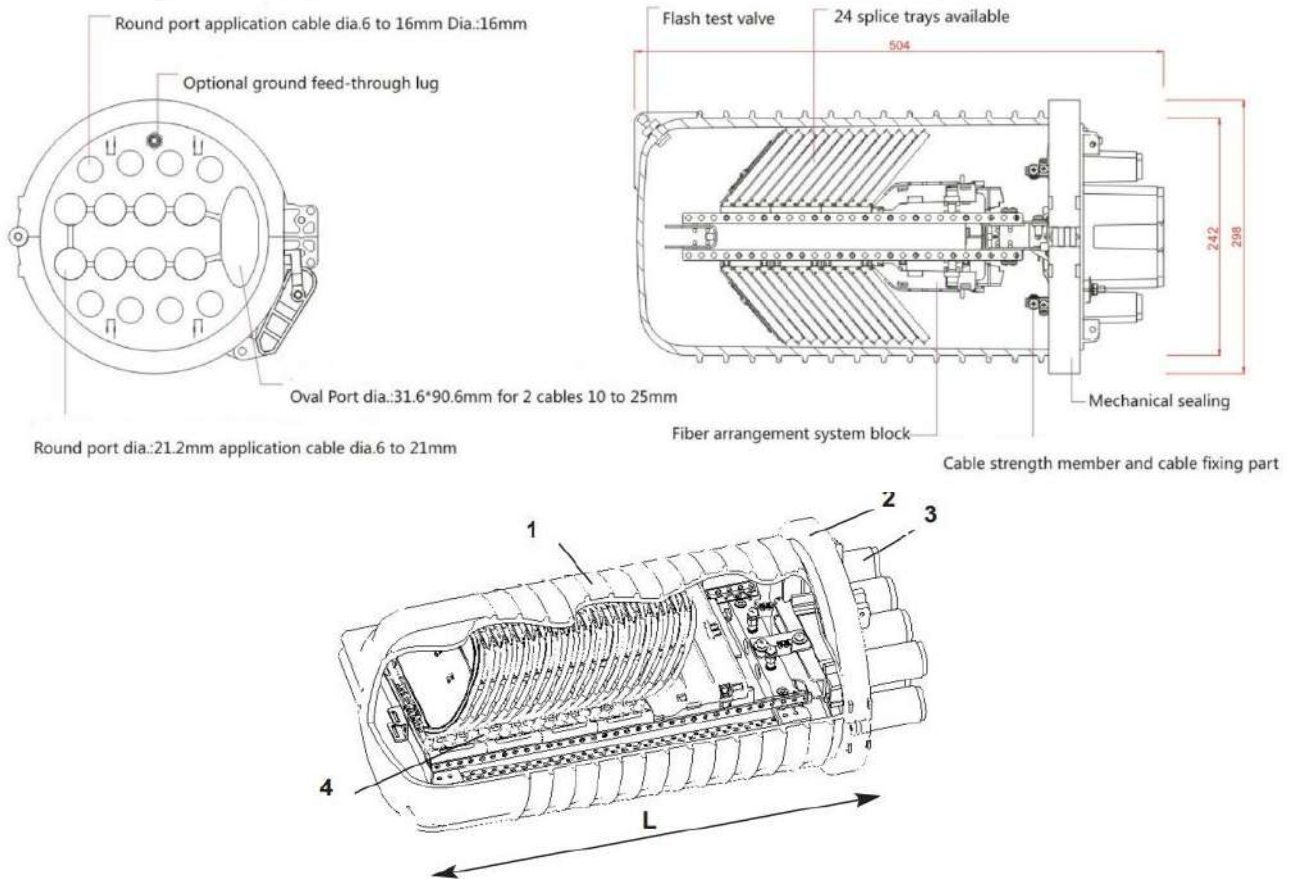
Model	AAA.006.001.001-OP
Type	Dome type
Sealing Structure	Heat shrinkable
Number of Inlet/Outlet ports	17 ports
Cable Diameter	1 port: Ø 10-25mm 8 ports: Ø 6-16mm 8 ports:Ø6-21mm
Maximum Capacity	288 fibers
Capacity per Splice Tray	Single layer: 12 fibers;
Quantity of Splice Tray	24pcs
Body Material	PP
Sealing Material	Thermoplastic rubber
Assembling method	Aerial, direct buried, pipelined, wall mounting, manhole
Dimension	504(H)x298(D)mm
Net Weight	3~6KG
Temperature	-40°C~65°C



FUNCTIONS AND FEATURES

- 1- Single-ended design
- 2- Base and dome are sealed with a clamp and O-ring system 16 round entry/exit ports for drop cables and 1 oval port for looped cable.
- 3- The UMS (universal mounting system) profiles provide the foundation for mounting combinations of SOSA2 (splice only sub-assembly) and/or SASA2 (splitter array sub-assembly) modules, which consist of a modular groove plate and trays
- 4- Compatible with most common cable types: e.g. loose tube, central core, ribbon fiber
- 5- Uncut fibers can be stored as single circuits in trays and/or as cable elements in the storage space between the profiles. Storage baskets are available for mass storage of fibers of central core cable constructions.

EXTERIOR DIAGRAM



TEMPERATURE CYCLING TEST

Keep the closure at -50 degree and 85 degree for 2 hours, while 85 degree are 2 hours too repeat the cycles 50 times. There is closure surface. And put it into water, there no bubble leak.

ORDERING INFORMATION

Brand	MAINTRONICS
Name	AAA.006.001.001-OP
Shape and Sealing	BDH: Dome type heat shrinkable sealing
Type	C
Cable Port	17=17 Ports
Fiber Optic Splice Tray	S 12: 12-core
Number of Splice Trays	1:1 tray 2: 2 trays 3: 3 trays . . 24: 24 trays
Valve	V: Valve included
Grounding Device	G: Grounding device included