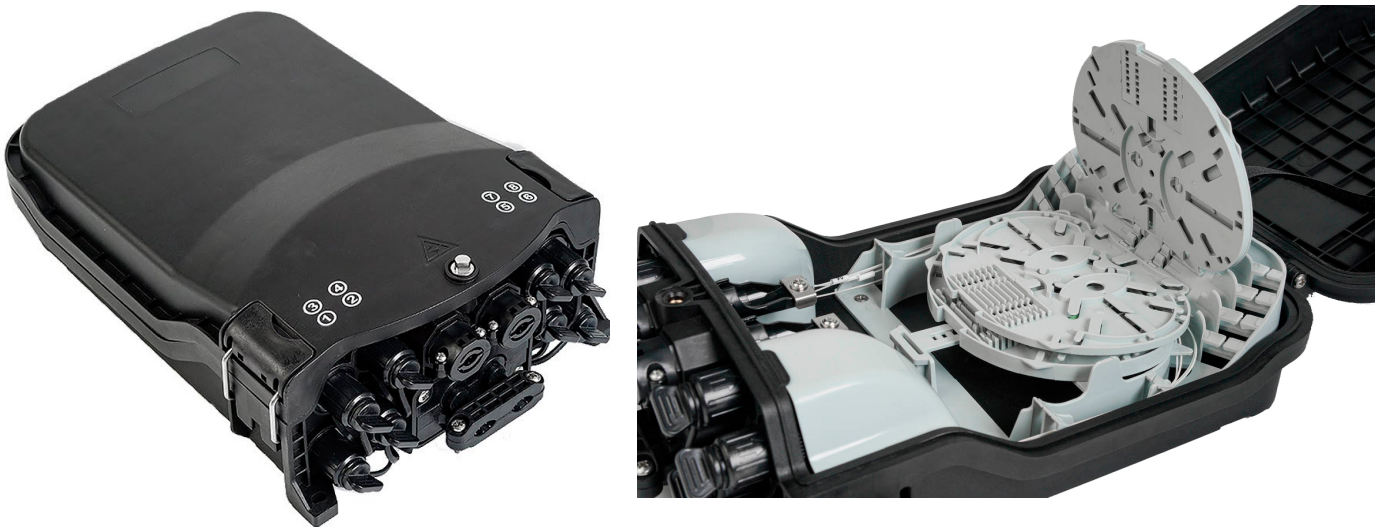
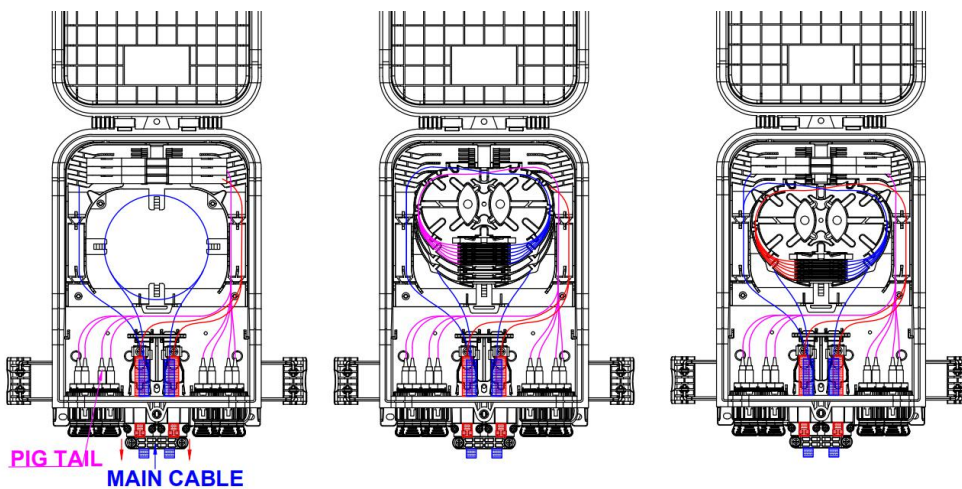


Fiber Termination Box-8 Cores



Description:

Fiber Splitter Box provides a high density wall mounted, pole mounted and aerial mounted solution for next generation networks, which aims to provide and manage fiber splitters in a limited space. It is designed for FTTH (Fiber to the Home) or FTTB (Fiber to the Building) with protective housing for all the passive fiber equipment installed inside.



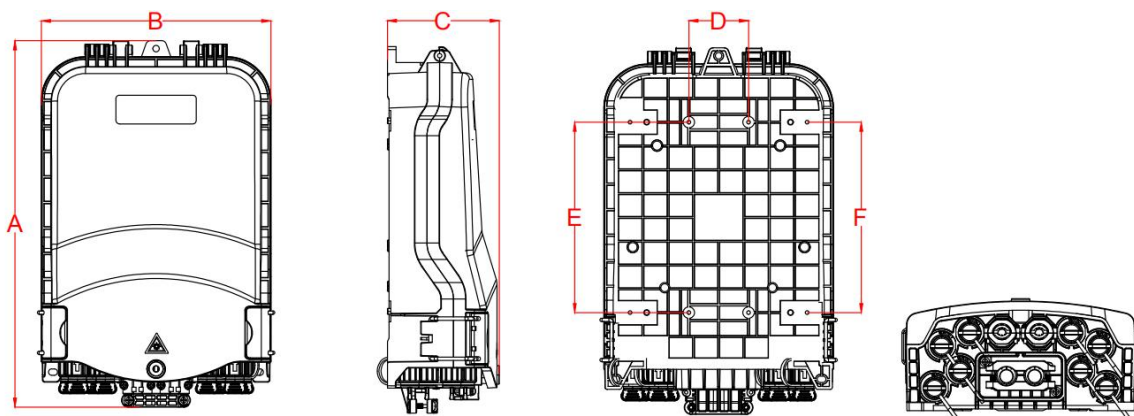
Cable ways

Features:

- 1, Waterproof design, IP65
- 2, Built-in 4pcs Splicing tray with 8mm thickness, per tray max splicing capacity 12 cores, Stainless steel bolts and nuts
- 3, 1x8 PLC splitter can be installed in each splicing tray with 8mm thickness.
- 4, 8pcs splicing tray with 4mm thickness are replaceable, per tray max splicing capacity 12 cores
- 5, Bending radius of fiber is bigger than 40mm
- 6, 8pcs mechanical ports for HUAWEI Mini SC drop cable, 2pcs Branch holes for $\Phi 16$ mm cable
- 7, 2 uncut port for uncut cable(Max $\Phi 14$ mm)

Configuration:

Size (Pic 1) A*B*C (mm)	Max Capacity	Installation Size (Pic 2) D*E*F(mm)	Into the largest cable diameter (mm)	Maximum size of branch hole (mm)	Waterproof SC/APC adapter
319.3*200*97.5	96	52*166*166	$\varnothing 8\sim 14$	$\varnothing 16$	8



Dimension

Installation:

1. Wall-mounted installation

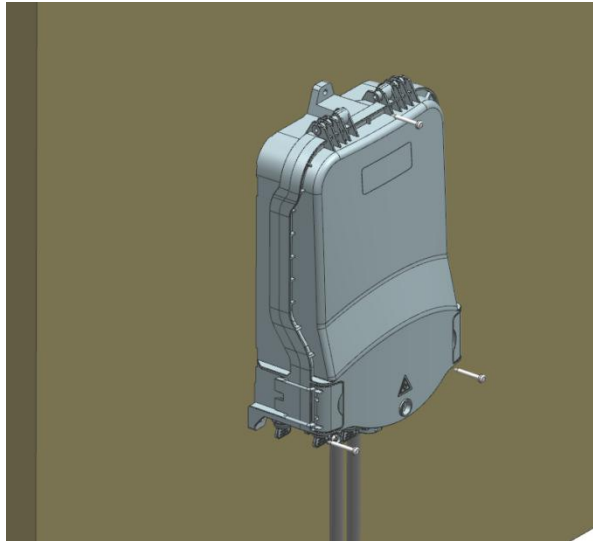
Drill 3 holes into the wall based on the size in table 1, place the expansion bolt $\Phi 7.5*40$, place the box to match up the holes and use bolt to fasten.

2. Pole-mounted installation

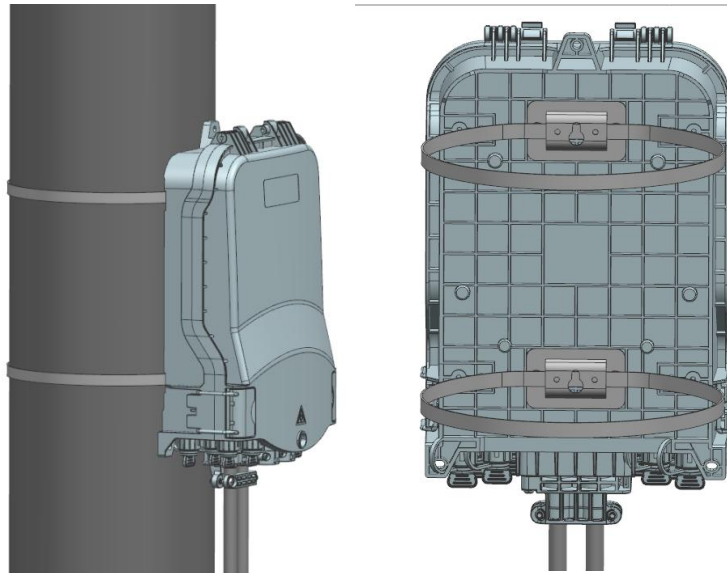
Fix 1 set of the pole ring to the telecom pole.

3. The overhead structure

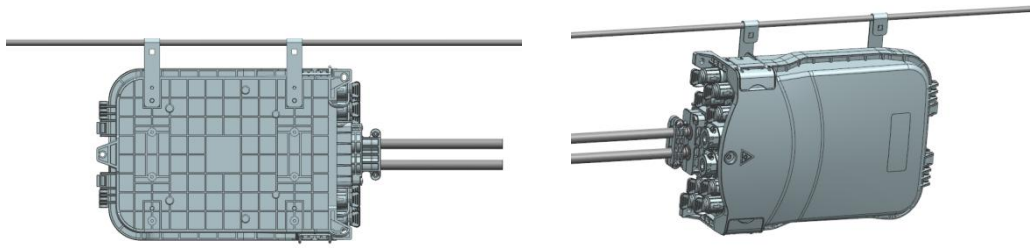
Tie the two installed on the chassis of the overhead hung on the wire, and then bolted, prevent the case fall off.



Wall mounted installation

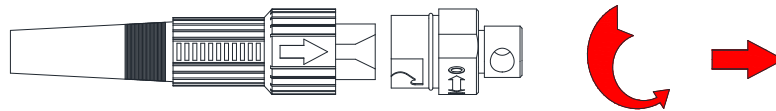


Pole mounted installation

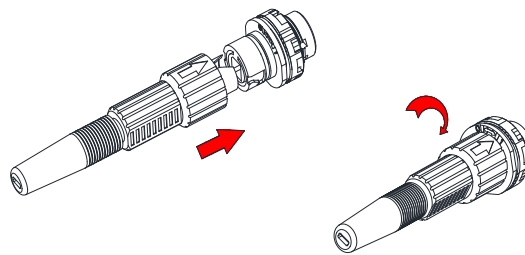


The overhead structure

Fiber connector installation:



Rotate the arrow part of fiber connector counterclockwise and take out the dust cap.



The arrow part of fiber connector is above, insert fiber connector into the socket and then rotate the arrow part clockwise.

Accessories:

1. Users' Manual*1
2. Accessories Bag*1
3. Pole Ring*1 (Option)