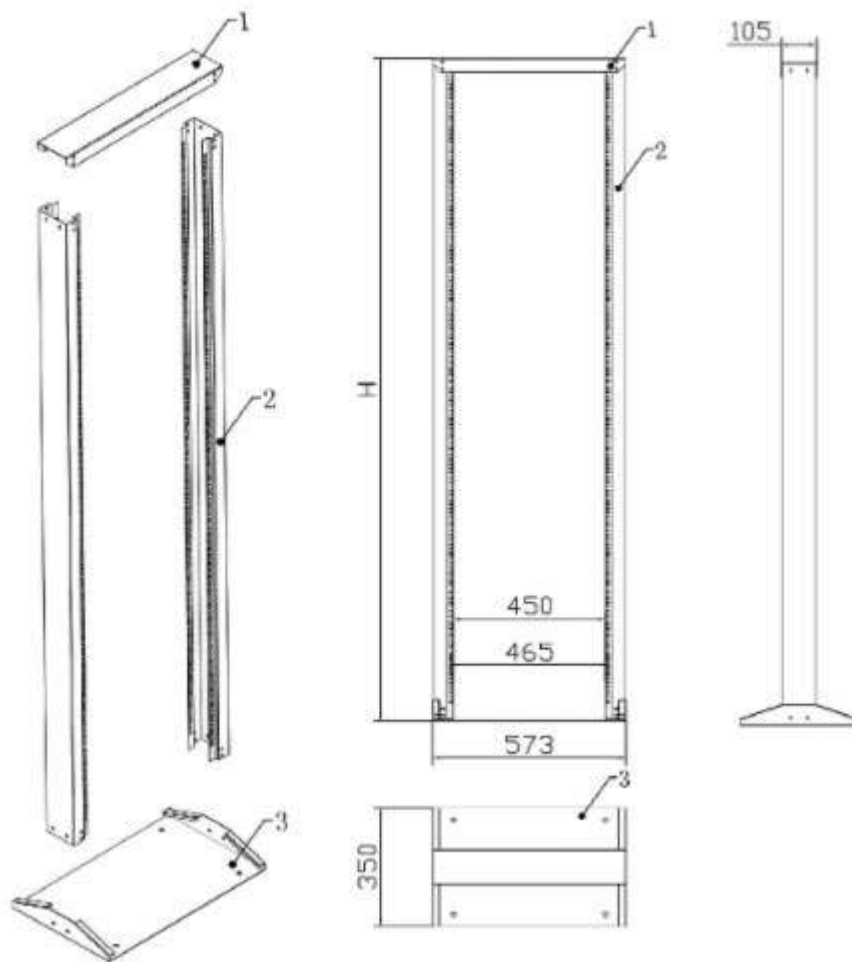


Open Rack





General description

- ✔ Unassembled structure, modular design, easy to assembly
- ✔ Stable and strong structure, easy to fix and maintain
- ✔ 19 inch standard data rack: with 2 post
- ✔ Four expansion screws, can be fixed on the ground, strong and durable
- ✔ Various optional accessories for common using

Standard:

Comply with IEC60950-1 IEC60529 and GB4208-93 standard.

Material:

All Material are high-quality SPCC Cold Rolled Steel

Thickness: Plinth: 2.0mm;
others: 1.2mm

Surface Finish:

Degreasing, pickling, phosphoric, powder coated, static powdered by WAGNER advanced painting equipment and system , let the cabinet with fine wrinkle soft touch paint

Color:

RAL9004; RAL9005;RAL7035

Size:

-Height: 18 U - 47 U
-Width: 600 mm
-Depth: 350mm,600 mm
Could be Customized

Loading Capacity

Static loading :120kg

Optional accessories:

Cable management,shelf,blank panel, power distribution unit, etc.

Package:

1PC/CTN.