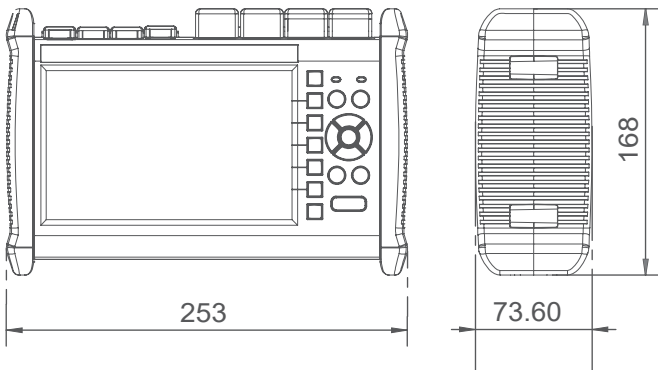




- Multiple dynamic range and wavelength combinations can be customized
- Support pass through 1x64 splitters
- With online light alarm function
- FLM (Fiber Link Map) function, icon display fiber events
- Remote control on PC software is available
- Multi languages selection



Items		Specifications
Pulse Width	SM	3ns, 5ns, 10ns, 20ns, 50ns, 100ns, 200ns, 500ns, 1μs, 2μs, 5μs, 10μs, 20μs
	MM	850nm: 3ns, 5ns, 10ns, 20ns, 50ns, 100ns, 200ns, 500ns, 1us 1300nm: 3ns, 5ns, 10ns, 20ns, 50ns, 100ns, 200ns, 500ns, 1us, 2us
Distance Range	SM	100m, 500m, 2km, 5km, 10km, 20km, 40km, 80km, 120km, 160km, 240km
	MM	850nm: 500m, 2km, 5km, 10km 1300nm: 500m, 2km, 5km, 10km, 20km, 40km, 80km
Sampling Resolution		Min 0.05m
Sampling Points		Max 128,000
Linearity		≤0.05dB/dB
Loss Threshold		0.01dB
Loss Resolution		0.001dB
Distance Resolution		0.01m
IOR Setting		1.2000~1.7000
Distance Accuracy		±(1m+test distance×3×10 ⁻⁵ +sampling resolution) (excluding IOR uncertainty)
Memory Apacity		80,000 groups curve

Items	Specifications
VFL	10mW, CW/2Hz
Interface	1*RJ-45, 3*USB (Type A×2, Type B×1)
Display	7-inch TFT-LCD (touch screen is optional)
Battery	7.4V/4.4Ah lithium battery (with air traffic certification)
Temperature	Working Temp: -10°C~+50°C; Storage Temp: -20°C~+70°C
Humidity	≤95% (No-condensation)
Dimension	253×168×73.5mm
Weight	1.5kg (with battery)
Accessories	Power adapter, Charge cord, Lithium battery, FC adapter, USB cable, Quick guide, Test report, CD, Carrying bag, Wrist strap
Optional	SC/LC adapter, Fiber microscope, Launch cable box, 10G Pon Power Meter

Model	Wavelength	Dynamic Range	Dead-zone
FHO5000-D26	1310/1550nm	26/24dB	0.8/4m
FHO5000-D35		35/33dB	0.8/4m
FHO5000-D40		40/38dB	1/4m
FHO5000-D43		43/41dB	1/5m
FHO5000-D45		45/43dB	0.8/3.6m
FHO5000-TP35	1310/1490/1550nm	35/33/33dB	0.8/4m
FHO5000-T26F	1310/1550/1625nm	26/24/24dB	0.8/4m
FHO5000-T35F		35/33/33dB	0.8/4m
FHO5000-T40F		40/38/38dB	1/4m
FHO5000-T43F		43/41/41dB	1/5m
FHO5000-T45F		45/43/43dB	0.8/3.6m
FHO5000-TC35F	1310/1550/1650nm	35/33/31dB	1/5m
FHO5000-M21	850/1300nm	19/21dB	1.2/8m
FHO5000-MD21	850/1300nm	19/21dB	1.2/8m
	1310/1550nm	35/33dB	0.8/4m
FHO5000-MD22	850/1300nm	19/21dB	1.2/8m
	1310/1550nm	40/38dB	1/4m

Notes

- 1: Please consult us for more customized models
- 2: Model T26F/T35F/T40F/T43F/T45F/TC35F are integrated built-in filter
- 3: Dynamic range is measured with 20us pulse width, averaging time is 180s, SNR=1;
- 4: Event dead-zone is measured with 3ns pulse width
- 5: Attenuation dead-zone is measured with 5ns pulse width

FH05000-XX-XX-XX-XX-XX-XX-XX-XX

Model

- M** 850/1300nm
- MD** 850/1300/1310/1550nm
- D** 1310/1550nm
- T** 1310/1550/1625nm
- TC** 1310/1550/1650nm
- TP** 1310/1490/1550nm
- P** 1650nm

Dynamic Range

- 21** 19/21dB for Model M or
19/21/35/33dB for Model MD
- 22** 19/21/40/38dB for Model MD
- 26** 26/24dB for Model D
- 35** 35/33dB for Model D or
35/33/33 for Model TP
- 40** 40/38dB for Model D
- 43** 43/41dB for Model D
- 45** 45/43dB for Model D
- 26F** 26/24/24dB for Model T with filter
- 35F** 35/33/31dB for Model TC/T with filter
- 40F** 40/38/38dB for Model T with filter
- 43F** 43/41/41dB for Model T with filter
- 45F** 45/43/43dB for Model T with filter
- P26** 26dB for Model P with filter
- P38** 38dB for Model P with filter

Laser Source

- /** Without laser source
- LS** With laser source

Connector

- /** FC/UPC(default)
- SC** SC/UPC
- ST** ST/UPC

Fiber Link Map

- /** Without fiber link map
- FLM** With fiber link map

Fiber Microscope

- /** Without fiber microscope
- FM** With fiber microscope

Touch Screen

- /** Without touchscreen
- TS** With touchscreen

Power Meter

- /** Without power meter
- PMA** With power meter TYPE A
- PMB** With power meter TYPE B