

**TELEINDUSTRIA srl**

Phone:.....(39) 2 45713729  
Fax:.....(39) 2 45714000  
E-mail:..... sales@teleindustria.it  
Web-site:..... **www.teleindustria.com**

# Weather-proof IP66 analogue ACB industrial telephone, shock-proof IK10 with auto fault-detection & audio test model TLA457T e TLA457TV



Weather-proof IP66 industrial wall mounting analogue ACB telephone, with shock-proof IK10 aluminum body and heavy-duty IP66-IK10 handset with stainless-steel cord, extended keypad with single metal made buttons, modello **TLA457T e TLA457TV**

**Electrical characteristics:**

Powered by telephone line:	12÷60 Vdc
Ringing voltage:	25÷100 V <sub>EFF</sub>
Dialling:	DTMF
Electronic Bell:	up to 95dB@1m, adjustable
Hook:	magnetic, high protection
Programmable:	100% programmabile remotely by DTMF
MTBF:	> 180.000 hors
MTTR:	3 minutes

**Extended Keypad:**

14 keys keypad, with single aluminum buttons, with double function activated by the button Fn:

- 12 buttons (\*, #, 0,1...9)
- R (flash), RP (last number redial)
- Pre-memorized call buttons (M1÷M8)
- Volume adjustment V+, V-
- Hook key, or hands-free mode (on TLA457TV only)
- Door opening button, on DTMF password
- Red LED indicating "on line" or "incoming call"
- Blue LED indicating fault conditions
- Noise cancelling circuit

**Optional functions:**

- Local audio test & remote monitoring
- Hands-Free Full-Duplex
- Booster amplifier for external loudspeaker (supplied@12Vcc)
- Auxiliary hook contact
- Call repeating relay for external repeaters
- Remote command relay on password DTMF
- Remote diagnostic software TelDia®

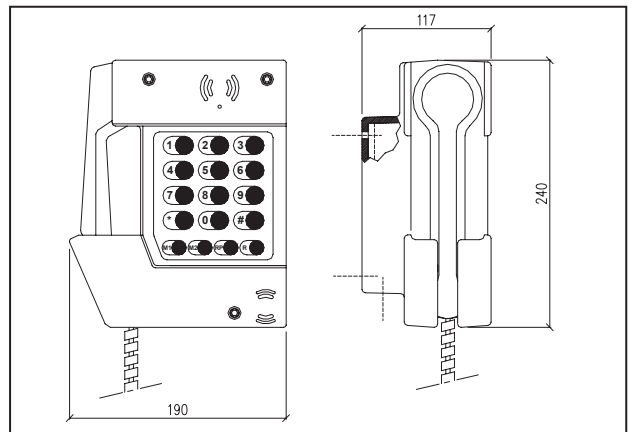
Material:.....aluminum 5mm/RAL 2003  
Handset:..... aluminum 2mm/black  
Handset's cord:.....stainless steel, 200kg resistance  
Mounting: .....on wall  
Wiring:.....screw terminals Ø2,5mm  
Dimensions:.....190x240x117mm  
Weight:.....3,6 kg  
IP-rating:.....IP66  
Shocks resistance: .....IK10  
Operating temperature:.....-40°C ÷ +70°C  
Cables inlets:.....2 holes Ø20mm, with cableglands for cables Ø5÷8mm

**Automatic Fault-detection**

Automatic periodical test of all the functions and main devices of the telephone, including audio test of microphone and earpiece. The state of service is indicated by the flashing blue LED. A Fault-Relay module is available on demand.

**Missing or out of order handset:**

The hands-free version (TLA457TV) still operates also when the handset is missing or out of service.



**Installation, Operation and Maintenance Procedures**

- Open the pivoting front panel removing the three screws.
- Pass the cables through the cableglands being sure that the cable fit with the rubber gasket
- Connect the telephone wires at the screw terminals as indicated in the operator's book
- Make a functional test calling another extension and asking to be re-called
- Adjust the volume of the bell (see operator's book)
- Adjust the sensitivity of the microphone (see operator's book)
- Close the front panel paying attention to the position of the gaskets

This equipment is supplied with a 2 year warranty against defective workmanship



**TELEINDUSTRIA srl**

Phone:.....(39) 2 45713729  
Fax:.....(39) 2 45714000  
E-mail:..... sales@teleindustria.it  
Web-site:..... **www.teleindustria.com**

# Weather-proof IP66 analogue ACB industrial telephone, shock-proof IK10 with auto fault-detection & audio test model TLA456T e TLA456TV



Weather-proof IP66 industrial wall mounting analogue ACB telephone, with shock-proof IK10 aluminum body and heavy-duty IP66-IK10 handset with stainless-steel cord, extended keypad with single metal made buttons, modello **TLA456T e TLA456TV**

**Electrical characteristics:**

Powered by telephone line:	12÷60 Vdc
Ringing voltage:	25÷100 V <sub>EFF</sub>
Dialling:	DTMF
Electronic Bell:	up to 95dB@1m, adjustable
Hook:	magnetic, high protection
Programmable:	100% programmabile remotely by DTMF
MTBF:	> 180.000 hors
MTTR:	3 minutes

**Extended Keypad:**

14 keys keypad, with single aluminum buttons, with double function activated by the button Fn:

- 12 buttons (\*, #, 0,1...9)
- R (flash), RP (last number redial)
- Pre-memorized call buttons (M1÷M8)
- Volume adjustment V+, V-
- Hook key, or hands-free mode (on TLA457TV only)
- Door opening button, on DTMF password
- Red LED indicating "on line" or "incoming call"
- Blue LED indicating fault conditions

**Optional functions:**

- Local audio test &
- Hands-Free Full-Duplex
- Booster amplifier for external loudspeaker (supplied@12Vcc)
- Auxiliary hook contact
- Call repeating relay for external repeaters
- Remote command relay on password DTMF
- Remote diagnostic software TelDia®
- Fault relay (module FAR-01)

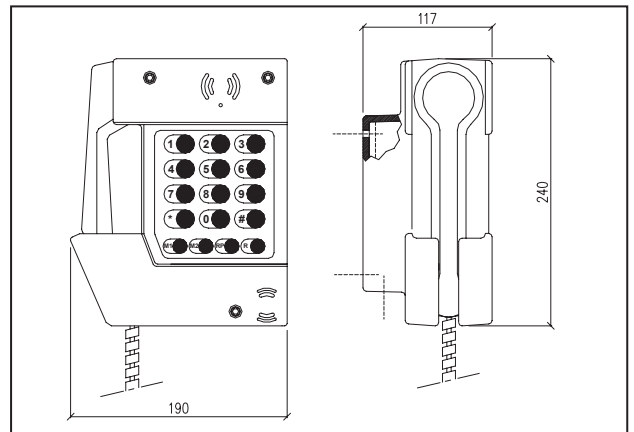
Material:.....aluminum 5mm/RAL 2003  
Handset: ..... Noryl IP66/black  
Handset's cord:.....stainless steel, 200kg resistance  
Mounting: .....on wall  
Wiring:.....screw terminals Ø2,5mm  
Dimensions:.....190x240x117mm  
Weight:.....3,6 kg  
IP-rating:.....IP66  
Shocks resistance: .....IK10  
Operating temperature:.....-40°C ÷ +70°C  
Cables inlets:.....2 holes Ø20mm, with cableglands for cables Ø5÷8mm

**Automatic Fault-detection**

Automatic periodical test of all the functions and main devices of the telephone, including audio test of microphone and earpiece. The state of service is indicated by the flashing blue LED. A Fault-Relay module is available on demand.

**Missing or out of order handset:**

The hands-free version (TLA456TV) still operates also when the handset is missing or out of service.



**Installation, Operation and Maintenance Procedures**

- Open the pivoting front panel removing the three screws.
- Pass the cables through the cableglands being sure that the cable fit with the rubber gasket
- Connect the telephone wires at the screw terminals as indicated in the operator's book
- Make a functional test calling another extension and asking to be re-called
- Adjust the volume of the bell (see operator's book)
- Adjust the sensitivity of the microphone (see operator's book)
- Close the front panel paying attention to the position of the gaskets

This equipment is supplied with a 2 year warranty against defective workmanship



# Blue Light Emergency Telephone with door, aluminum body/handset Hands-Free + Handset vandal resistant & weatherproof IP66 model **BLT700T**

**TELEINDUSTRIA srl**

Phone: .....(39) 2 45713729  
Fax: .....(39) 2 45714000  
E-mail: ..... sales@teleindustria.it  
Web-site: ..... **www.teleindustria.com**



The Blue Light Emergency Telephone BLT700 is a real alternative to the more expensive Blue Light Towers. Keeping unchanged the essential characteristics of robustness and reliability, the BLT700 allows to minimize the budget for the realization of a network of emergency telephones.

It can be delivered with 1 to 4 Emergency Buttons, or with a full keypad. It can be integrated with an internal LED white light to illuminate the command devices. The handset is made of vandal-proof aluminum (it can really be used as an hammer without damage) but the telephone can still work in hands-free Full-Duplex mode if the handset is out of service.



Color:.....on demand Grey, Yellow, Red, Orange  
Closing:.....pivoting door with handle  
Handset:.....aluminum  
Color of handset:.....Grey, Black or Red  
Hook: .....redundant magnetic  
Handset's cord:.....stainless-steel flexible tube 38cm  
Dimensions:.....364x257x175mm  
Weight:.....5,85 kg  
IP-rating:.....66  
Operating temperature:.....-40°C ÷ +70°C  
Fixing:.....on wall (or pole)



Weather-proof IP66 & IK10 Blue Light Telephone  
aluminum body with protective door  
aluminum HS70 handset IP66 & IK10 with stainless-steel cord  
extended IK10 keypad with single metal made buttons,  
model **BLT700T e BLT700TV**

The BLT700T is probably the more performing Blue Light Telephone on the worldwide market. It is totally made of aluminum and INOX stainless-steel. The door is there to keep it clean, not for protecting against water and dust. In fact it is weather-proof IP66 also when the door is open. Moreover the door is used to show emergency signs. The telephone, normally grey colored, is available on any color on demand.

### RELIABLE

The BLT700T (Handset) & BLT700TV (Handset + Hands-Free) are designed to live over 20 years. All the external command devices are metal made and oversized in order to live over 250.000 hours under the hardest working conditions.

### REDUNDANT

The telephone is equipped with the last generation of SMART analog card designed by Teleindustria, offering the redundancy of the main functions and components, including automatic detection of faults (audio test of microphone and loudspeaker)

### BLUE LIGHT OPERATION

The Blue Light on the top is flashing during all the duration of an emergency call, without any external power source (powered by the telephone line). On demand the light can be lighted in permanence to show to the people the position of the Blue Light Emergency Phone.

### Optional functions:

- Local audio test & remote monitoring
- Hands-Free Full-Duplex
- Booster amplifier for external loudspeaker (supplied@12Vcc)
- Auxiliary hook contact
- Call repeating relay for external repeaters
- Remote command relay on password DTMF
- Remote diagnostic software TelDia®





**TELEINDUSTRIA srl**

Phone: .....(39) 2 45713729

Fax: .....(39) 2 45714000

E-mail: ..... sales@teleindustria.it

Web-site: ..... [www.teleindustria.com](http://www.teleindustria.com)

## Emergency & Service analogue vandal resistant & weatherproof IP66 Industrial Telephone with door aluminum body and handset model TLA700T & TLA700TV



The Emergency & Service Telephones series "700" are the result of over 20 years of experience in designing and manufacturing specialized communication terminals, to be installed in the hardest areas in the world: Off-Shore, Mines, Marine, Steel-Works, Railways, Tunnels.

The handset is made of vandal-proof aluminum (it can really be used as an hammer without damage!) but the telephone can still work in hands-free Full-Duplex mode if the handset is out of servhandsetce. A Blue-Light version is also available.



MTBF: .....250.000 hours  
Color:.....on demand Grey, Yellow, Red, Orange  
Closing:.....pivoting door with handle  
Handset:.....aluminum  
Color of handset:.....Grey, Black or Red  
Hook:.....redundant magnetic  
Handset's cord:.....stainless-steel flexible tube 38cm  
Bell:.....95dB @ 1 m.  
Powered by telephone line:.....12÷60 Vdc  
Dimensions:.....364x257x175mm  
Weight:.....5,85 kg  
IP-rating:.....66  
Operating temperature:.....-40°C ÷ +70°C  
Fixing:.....on wall (or pole)

Weather-proof IP66 & IK10 Emergency & Service Telephone  
ALU body with pivoting door, ALU handset IP66 & IK10 with  
stainless-steel cord ,IK10 metal buttons keypad  
model **TLA700T** and **TLA700TV**

The TLA700T is probably the more performing and innovative Emergency & Service Telephone on the worldwide market. It is totally made of aluminum and INOX stainless-steel. The door is there to keep it clean, not for protecting against water and dust. In fact it is weather-proof IP66 also when the door is open.

### RELIABLE

The series "700" is designed to live over 20 years in the hardest conditions.

### REDUNDANT

The TLA700 are equipped with the last generation of SMART analog card XCS-91-30, with redundancy of the main functions including automatic detection of faults (audio test).

### EXTENDED KEYPAD

14 keys keypad, with single aluminum buttons, with double function activated by the button Fn:

- 12 buttons (\*, #, 0,1...9)
- R (flash), RP (last number redial)
- Pre-memorized call buttons (M1÷M8)
- Volume adjustment V+, V-
- Hook key, or hands-free mode (on TLA700TV only)
- Door opening button, on DTMF password
- Red LED indicating "on line" or "incoming call"
- Blue LED indicating fault conditions

### Optional functions:

- Local audio test & remote monitoring
- Hands-Free Full-Duplex
- Booster amplifier for external loudspeaker (supplied@12Vcc)
- Auxiliary hook contact
- Call repeating relay for external repeaters
- Remote command relay on password DTMF
- Remote diagnostic software TelDia®



**TELEINDUSTRIA srl**

Phone: .....(39) 2 45713729  
 Fax: .....(39) 2 45714000  
 E-mail: ..... sales@teleindustria.it  
 Web-site: ..... [www.teleindustria.com](http://www.teleindustria.com)

# Emergency & Service analogue vandal resistant & weatherproof IP66 Industrial Telephone with door aluminum body and handset model TLA700T & TLA700TV



The Emergency & Service Telephones series "700" are the result of over 20 years of experience in designing and manufacturing specialized communication terminals, to be installed in the hardest areas in the world: Off-Shore, Mines, Marine, Steel-Works, Railways, Tunnels.

The handset is made of vandal-proof aluminum (it can really be used as an hammer without damage!) but the telephone can still work in hands-free Full-Duplex mode if the handset is out of servhandsetce. A Blue-Light version is also available.



MTBF: .....250.000 hours  
 Color:.....on demand Grey, Yellow, Red, Orange  
 Closing:.....pivoting door with handle  
 Handset:.....aluminum  
 Color of handset:.....Grey, Black or Red  
 Hook:.....redundant magnetic  
 Handset's cord:.....stainless-steel flexible tube 38cm  
 Bell:.....95dB @ 1 m.  
 Powered by telephone line: .....12÷60 Vdc  
 Dimensions:.....364x257x175mm  
 Weight:.....5,85 kg  
 IP-rating:.....66  
 Operating temperature:.....-40°C ÷ +70°C  
 Fixing:.....on wall (or pole)

Weather-proof IP66 & IK10 Emergency & Service Telephone  
 ALU body with pivoting door, ALU handset IP66 & IK10 with  
 stainless-steel cord ,IK10 metal buttons keypad  
 model **TLA700T** and **TLA700TV**

The TLA700T is probably the more performing and innovative Emergency & Service Telephone on the worldwide market. It is totally made of aluminum and INOX stainless-steel. The door is there to keep it clean, not for protecting against water and dust. In fact it is weather-proof IP66 also when the door is open.

**RELIABLE**

The series "700" is designed to live over 20 years in the hardest conditions.

**REDUNDANT**

The TLA700 are equipped with the last generation of SMART analog card XCS-91-30, with redundancy of the main functions including automatic detection of faults (audio test).

**EXTENDED KEYPAD**

14 keys keypad, with single aluminum buttons, with double function activated by the button Fn:

- 12 buttons (\*, #, 0,1...9)
- R (flash), RP (last number redial)
- Pre-memorized call buttons (M1÷M8)
- Volume adjustment V+, V-
- Hook key, or hands-free mode (on TLA700TV only)
- Door opening button, on DTMF password
- Red LED indicating "on line" or "incoming call"
- Blue LED indicating fault conditions

**Optional functions:**

- Local audio test & remote monitoring
- Hands-Free Full-Duplex
- Booster amplifier for external loudspeaker (supplied@12Vcc)
- Auxiliary hook contact
- Call repeating relay for external repeaters
- Remote command relay on password DTMF
- Remote diagnostic software TelDia®





**TELEINDUSTRIA srl**

Phone: .....(39) 2 45713729  
Fax: .....(39) 2 45714000  
E-mail: ..... sales@teleindustria.it  
Web-site: ..... [www.teleindustria.com](http://www.teleindustria.com)

## Emergency & Service analogue vandal resistant & weatherproof IP66 Industrial Telephone with door aluminum body and handset model TLA700M1



The Emergency & Service Telephones series "700" are the result of a long experience in designing and manufacturing specialized communication terminals to be installed in the hardest areas in the world: Off-Shore, Mines, Marine, Steel-Works, Railways, Tunnels.

The handset is made of vandal-proof aluminum (it can really be used as an hammer without damage) but the telephone can still work in hands-free Full-Duplex mode if the handset is out of servhandsetce (model TLA700M1V). A Blue-Light version is also available, with a top mounted flashing light.



MTBF:.....250.000 hours  
Color:.....on demand Grey, Yellow, Red, Orange  
Closing:.....pivoting door with handle  
Handset:.....aluminum  
Color of handset:.....Grey, Black or Red  
Hook:.....redundant magnetic  
Handset's cord:.....stainless-steel flexible tube 38cm  
Dimensions:.....364x257x175mm  
Weight:.....5,85 kg  
IP-rating:.....66  
Operating temperature:.....-40°C ÷ +70°C

Weather-proof IP66 & IK10 Emergency & Service Telephone made with aluminum body with protective door aluminum HS70 handset IP66 & IK10 with stainless-steel cord equipped with metal made IK10 emergency red push-button, model **TLA700M1**

The TLA700M1 is probably the more performing and innovative Emergency Telephone on the worldwide market. It is totally made of aluminum and INOX stainless-steel. The door is there to keep it clean, not for protecting against water and dust. In fact it is weather-proof IP66 also when the door is open. Moreover the door is used to show emergency signs. The telephone, normally grey colored, is available on any color on demand.

### RELIABLE

The TLA700M1 (Handset) & TLA700M1V (Handset + Hands-Free) are designed to live over 20 years. All the external command devices are metal made and oversized in order to live over 250.000 hours under the hardest working conditions.

### REDUNDANT

The TLA700M1 is equipped with the last generation of SMART analog card XCS-91-30, offering the redundancy of the main functions and components, including automatic detection of faults (audio test of microphone and loudspeaker)

### KEYPAD OPTIONS & ACCESSORIES

The TLA700M1 belongs to the wide family "700", including many other versions with more emergency buttons (1 to 8) or with full keypad. Should you need special facilities just contact us, is very probable that we can issue a custom version.

### Optional functions:

- Local audio test & remote monitoring
- Hands-Free Full-Duplex
- Booster amplifier for external loudspeaker (supplied@12Vcc)
- Auxiliary hook contact
- Call repeating relay for external repeaters
- Remote command relay on password DTMF
- Remote diagnostic software TelDia®



**TELEINDUSTRIA srl**

Phone:.....(39) 2 45713729  
Fax:.....(39) 2 45714000  
E-mail:..... sales@teleindustria.it  
Web-site:..... **www.teleindustria.com**

# Weather-proof IP66 Telephone wall or flush-mounting, shock-proof IK10 with auto fault-detection & audio test model TLA246T & TLA246T/TP



Weather-proof IP66 industrial flush-mounting (or wall mounting using the wall INOX frame) analogue telephone, with shock-proof IK10 stainless steel body and heavy-duty IP66-IK10 aluminum handset and stainless-steel cord, full extended keypad model **TLA246T – TLA246T/TP**



**WALL MOUNTING  
TLA246T/TP**



**FLUSH-MOUNTING  
TLA246T/TS**

**Electrical characteristics:**

Powered by telephone line:	12÷60 Vdc
Ringing voltage:	25÷100 V <sub>EFF</sub>
Dialling:	DTMF
Electronic Bell:	up to 90dB@1m, adjustable
Hook:	magnetic, high protection
Programmable:	100% remotely programmable by DTMF
MTBF:	> 180.000 hors
MTTR:	3 minutes

**Keypad:**

Extended keypad 15 metal double function buttons, activable by "Function" Fn button:

- 12 numbering buttons (\*, #, 1 .. 9)
- R (flash) and RP (Last number redial)
- M1 .. M8 for 8 pre-memorized emergency numbers
- Volume adjustment (V+, V-)
- Door opening button (on password)
- Red LED: telephone on line or incoming call
- Blue LED: good working conditions

**Optional functions:**

- Local audio test (Handset + Hands-Free)
- Hands-Free Full-Duplex option
- Booster amplifier (supplied @12Vcc)
- Auxiliary hook contact
- Alarm/Service contacts
- Call repeating relay for activating external repeaters
- Remote command relay on password DTMF
- Remote diagnostic software TelDia®
- Fault relay (module FAR-01) powered @12Vdc

**Automatic Fault-detection**

The smart telephone board XCS-91-30 is equipped with an automatic test of all the functions and of all the main parts of the telephone, including the audio test of microphone and earpiece. The test is done periodically, on the base of the programmed scheduling. The state of good service is constantly shown by the flashing blue LED.

Material: .....2mm stainless steel plate  
Handset: ..... cast aluminum 2mm  
Handset's cord:.....stainless steel, 200kg resistance  
Mounting:.....flush-mounting TLA246M0, wall mounting TLA246M0/TP  
Wiring:.....screw terminals Ø2,5mm  
Dimensions TLA246T/TS:.....260 x 180 x 137 mm  
Dimensions TLA246T/TP:.....311 x 214 x 132 mm  
Weight:.....3,6 kg  
IP-rating: .....IP66  
Shocks resistance: .....IK10  
Operating temperature:.....-40°C ÷ +70°C

**Installation, Operation and Maintenance Procedures**

- Open the front panel removing the four screws
- Pass the cables through the cableglands being sure that the cable fit with the rubber gasket
- Connect the telephone wires at the screw terminals as indicated in the operator's book
- Make a functional test calling another extension and asking to be re-called
- Adjust the volume of the bell (see operator's book)
- Adjust the sensitivity of the microphone (see operator's book)
- Close the front panel paying attention to the position of the gaskets





**TELEINDUSTRIA srl**

Phone: .....(39) 2 45713729

Fax: .....(39) 2 45714000

E-mail: ..... sales@teleindustria.it

Web-site: ..... **www.teleindustria.com**

# Weather-proof IP66 analogue ACB Emergency Telephone, shock-proof IK10 with auto fault-detection & audio test model TLA246M1- TLA246M1/TP



Weather-proof IP66 industrial flush-mounting (or wall mounting using the wall INOX frame) analogue emergency telephone, with shock-proof IK10 stainless steel body and heavy-duty IP66-IK10 aluminum handset and stainless-steel cord, automatic dialling of emergency telephone numbers  
model **TLA246M1 – TLA246M1/TP**

### Electrical characteristics:

Powered by telephone line:	12÷60 Vdc
Ringing voltage:	25÷100 V <sub>EFF</sub>
Dialling:	DTMF
Electronic Bell:	up to 90dB@1m, adjustable
Hook:	magnetic, high protection
Programmable:	100% remotely programmable by DTMF
MTBF:	> 180.000 hors
MTTR:	3 minutes

### Main functions:

- Automatic dialling lifting the handset and pressing the RED button
- Sequence of 8 memorized emergency number
- Red LED indicating "on line" or "incoming call"
- Blue LED indicating faults condition

### Automatic Fault-detection

The smart telephone board XCS-91-30 is equipped with an automatic test of all the functions and of all the main parts of the telephone, including the audio test of microphone and earpiece. The test is done periodically, on the base of the programmed scheduling. The state of good service is constantly shown by the flashing blue LED.

The version TLA246M1V is equipped with an additional microphone + loudspeaker for hands-free Full-Duplex operation in case of fault of the handset. The telephone itself switches on hands-free mode detecting the absence of the handset and /or the possible missing hang-up after the end of conversation. Thanks to the double redundant speech interface, emergency calls are guaranteed also in case of the first failure of microphone/loudspeaker.

### Optional functions:

- Local audio test (Handset + Hands-Free)
- Hands-Free Full-Duplex option
- Booster amplifier for internal/external loudspeaker (supplied @12Vcc)
- Auxiliary hook contact
- Alarm/Service contacts
- Call repeating relay for activating external repeaters
- Remote command relay on password DTMF
- Remote diagnostic software TelDia®
- Fault relay (module FAR-01) powered @12Vdc



WALL MOUNTING  
TLA246M0/TP

FLUSH-MOUNTING  
TLA246M0/TP

Material: .....2mm stainless steel plate  
Handset: ..... cast aluminum 2mm  
Handset's cord:.....stainless steel, 200kg resistance  
Mounting:.....flush-mounting TLA246M0, wall mounting TLA246M0/TP  
Wiring:.....screw terminals Ø2,5mm  
Dimensions: .....352x181x mm  
Weight:.....3,6 kg  
IP-rating: .....IP66  
Shocks resistance: .....IK10  
Operating temperature:.....-40°C ÷ +70°C

## Installation, Operation and Maintenance Procedures

- Open the front panel removing the four screws
- Pass the cables through the cableglands being sure that the cable fit with the rubber gasket
- Connect the telephone wires at the screw terminals as indicated in the operator's book
- Make a functional test calling another extension and asking to be re-called
- Adjust the volume of the bell (see operator's book)
- Adjust the sensitivity of the microphone (see operator's book)
- Close the front panel paying attention to the position of the gaskets



This equipment is supplied with a 2 year warranty against defective workmanship



**TELEINDUSTRIA srl**

Phone:.....(39) 2 45713729  
Fax:.....(39) 2 45714000  
E-mail:..... sales@teleindustria.it  
Web-site:..... **www.teleindustria.com**

# Weather-proof IP66 analogue ACB Emergency Telephone, shock-proof IK10 with auto fault-detection & audio test model TLA246M0- TLA246M0/TP



Weather-proof IP66 industrial flush-mounting (or wall mounting using the wall INOX frame) analogue emergency telephone, with shock-proof IK10 stainless steel body and heavy-duty IP66-IK10 aluminum handset and stainless-steel cord, automatic dialling of emergency telephone numbers  
model **TLA246M0 – TLA246M0/TP**

**Electrical characteristics:**

Powered by telephone line:	12÷60 Vdc
Ringing voltage:	25÷100 V <sub>EFF</sub>
Dialling:	DTMF
Electronic Bell:	up to 90dB@1m, adjustable
Hook:	magnetic, high protection
Programmable:	100% remotely programmable by DTMF
MTBF:	> 180.000 hors
MTTR:	3 minutes

**Main functions:**

- Automatic dialing lifting the handset
- Sequence of 8 memorized emergency number
- Red LED indicating "on line" or "incoming call"
- Blue LED indicating faults condition

**Automatic Fault-detection**

The smart telephone board XCS-91-30 is equipped with an automatic test of all the functions and of all the main parts of the telephone, including the audio test of microphone and earpiece. The test is done periodically, on the base of the programmed scheduling. The state of good service is constantly shown by the flashing blue LED.

The version TLA246M0V is equipped with an additional microphone + loudspeaker for hands-free Full-Duplex operation in case of fault of the handset. The telephone itself switches on hands-free mode detecting the absence of the handset and /or the possible missing hang-up after the end of conversation. Thanks to the double redundant speech interface, emergency calls are guaranteed also in case of the first failure of microphone/loudspeaker.

**Optional functions:**

- Local audio test (Handset + Hands-Free)
- Hands-Free Full-Duplex option
- Booster amplifier for internal/external loudspeaker (supplied @12Vcc)
- Auxiliary hook contact
- Alarm/Service contacts
- Call repeating relay for activating external repeaters
- Remote command relay on password DTMF
- Remote diagnostic software TelDia®
- Fault relay (module FAR-01) powered @12Vdc



WALL MOUNTING  
TLA246M0/TP

FLUSH-MOUNTING  
TLA246M0-TS

Material: .....2mm stainless steel plate  
Handset: ..... cast aluminum 2mm  
Handset's cord:.....stainless steel, 200kg resistance  
Mounting:.....flush-mounting TLA246M0, wall mounting TLA246M0/TP  
Wiring:.....screw terminals Ø2,5mm  
Dimensions: .....352x181x mm  
Weight:.....3,6 kg  
IP-rating: .....IP66  
Shocks resistance: .....IK10  
Operating temperature:.....-40°C ÷ +70°C

**Installation, Operation and Maintenance Procedures**

- Open the front panel removing the four screws
- Pass the cables through the cableglands being sure that the cable fit with the rubber gasket
- Connect the telephone wires at the screw terminals as indicated in the operator's book
- Make a functional test calling another extension and asking to be re-called
- Adjust the volume of the bell (see operator's book)
- Adjust the sensitivity of the microphone (see operator's book)
- Close the front panel paying attention to the position of the gaskets

This equipment is supplied with a 2 year warranty against defective workmanship



# Weather-proof IP66 analogue ACB industrial telephone, shock-proof IK10 with auto fault-detection & audio test model TLA605TR-MaNpIr

**TELEINDUSTRIA srl**

Phone: .....(39) 2 45713729

Fax: .....(39) 2 45714000

E-mail: ..... sales@teleindustria.it

Web-site: ..... [www.teleindustria.com](http://www.teleindustria.com)



All screws are stainless steel only



Body material:.....GRP (Reinforced Fiberglass)  
Color: .....grey (other colors on demand)  
Handset IP66: .....plastic (Noryl)  
Handset's cord: .....coiled PVC robust cord  
Keypad: ..... IP66  
Emergency buttons: .....on demand  
Mounting: .....for wall/pole mounting  
Dimensions: .....370 x 270 x 190 mm  
Weight: .....5,12kg  
IP-rating: .....IP66 also when door is open  
Operating temperatures: .....-40°C ÷ +70°C  
Cables inlet: ..... nr. 1cableglad on bottom

AVAILABLE WITH CUSTOMIZED LOGO/SYMBOLS on the DOOR



Weather-proof IP66 industrial wall mounting analogue ACB telephone, with shock-proof IK10 GRP body and heavy-duty IP66-IK10 handset with coiled cord, extended keypad with function keys, with protecting door  
**P/N TLA605TR-MaNpIr**

Professional heavy-duty industrial weather-proof IP66 telephone with door, specific for marine applications (corrosion free) and railways (responding to Rete Ferroviaria Italiana RFI – TT579). This telephone is weather-proof IP66 also when door is open. It can be remotely monitored by the software TelDia®, obtaining in real time all the information regarding the status of the telephone, including audio test of microphone and earpiece.

**Electrical characteristics:**

Powered by telephone line:	12÷60 Vdc
Ringing voltage:	25÷100 V <sub>EFF</sub>
Dialling:	DTMF
Electronic Bell:	65dB@1m when door is closed 85dB@1m when door is open
Hook:	magnetic, high protection
Programmable:	100% programmabile remotely by DTMF
MTBF:	> 180.000 hors
MTTR:	3 minutes

**Extended Keypad:**

15 keys keypad, with single aluminum buttons, with double function activated by the button Fn:

- 12 buttons (\*, #, 0,1..9), R (flash), RP (last number redial)
- Pre-memorized call buttons (M1÷M8)
- Volume adjustment V+, V-
- Gate opening button, on DTMF password
- Red LED indicating "on line" or "incoming call"
- PTT button (Tx/Rx) for special purposes



**Automatic Fault-detection**

Automatic periodical test of all the functions and main devices of the telephone, including audio test of microphone and earpiece. The state of service is indicated by the flashing blue LED. A Fault-Relay module is available on demand.

**Optional functions:**

- Local audio test & remote monitoring
- Booster amplifier for external loudspeaker (supplied@12Vcc)
- Auxiliary hook contact
- Call repeating relay for external repeaters
- Remote command relay on password DTMF
- Remote diagnostic software TelDia®

