



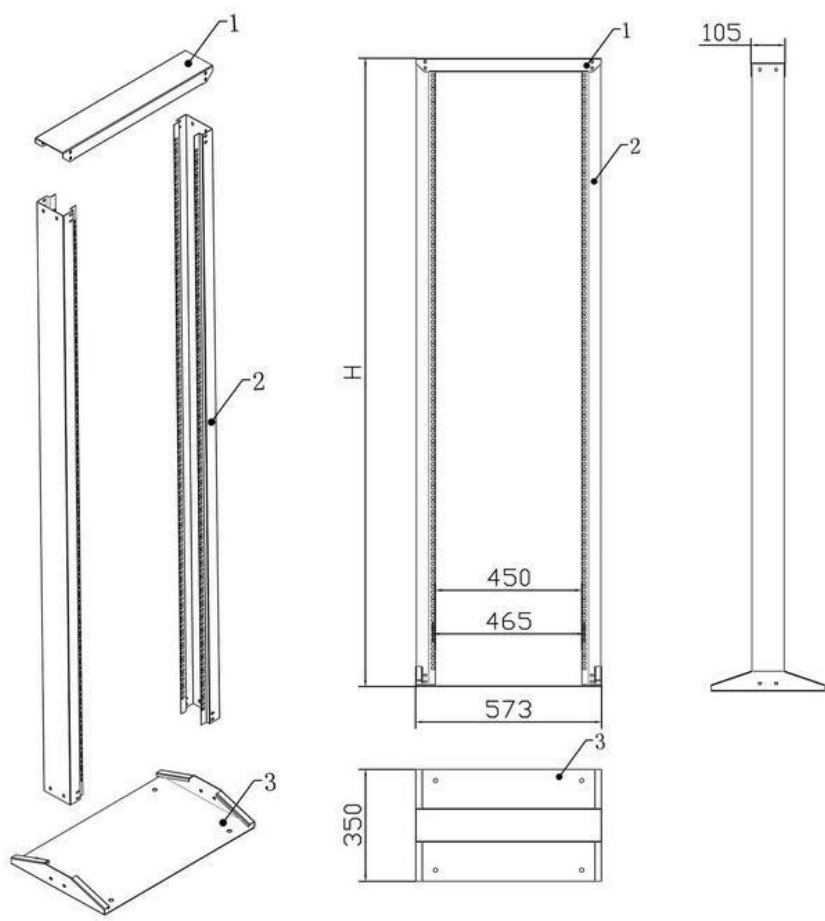
## Open Rack



The open frame rack is used in offices or computer rooms to install various IT components and equipment. It is mainly delivered disassembled save freight cost, and it can be assembled together in an extremely easy way.

### Advantage

- 1, Our 2-post open frame rack has a demountable structure, and this simple structure offers easy access to installed equipment for the purpose of monitoring and maintenance.
2. The open computer rack is 19" wide, and installed networking equipment could be set at different height levels.
3. Four expansion bolts are provided to fix this open rack to the ground, and other optional fitting are also supplied as requested.



### Technical Data of RC Open Frame Rack

Standard	ANS/EIA RS-310-D, IEC 297-2, DI 41491 part 1, DIN41491 part 7, ETSI
Raw material	Cold rolled steel(SPCC)
Steel thickness	2.0mm FOR plinth, 1.2mm for the rest
Static load rating	120kg
Surface finish	Degreasing, picking, parkerising, powder coating
Height	18U-47U
Width	600mm
Depth	600mm